

Steel Unlimited

Original instructions

ENG 1115

PARTS MANUAL
PMHB-350ENG.115

HYDRAULIC HAMMER

HB-350



TABLE OF CONTENTS

- 1.1. Housing unit 6
- 1.2. Impact unit 8
- 1.3. Seal set 10
- 1.4. Service kit 12
- 1.5. Service kit 2 13
- 1.6. Tool box 14

GENUINE SANDVIK SPARE PARTS

Sandvik genuine spare parts are designed and manufactured by using the latest technological knowledge and engineering skills. Sandvik spare parts are made of the best available materials with the most advanced manufacturing techniques.

It is important that you use only genuine Sandvik spare parts, to ensure easy operation, maintenance and repair of the product. Please note that eventual warranty claims will be handled only if you have used genuine Sandvik parts in your Sandvik product.

LOCATION OF THE SERIAL NUMBER

It's important to make correct reference to the serial number of the product when ordering spare parts. Identification of serial number is the only proper means of maintaining and identifying parts for a

specific product. The location of equipment serial number is pointed in "Operation and maintenance" manual.

SPARE PART ORDERS

Quick spare part deliveries are secured by exact orders.

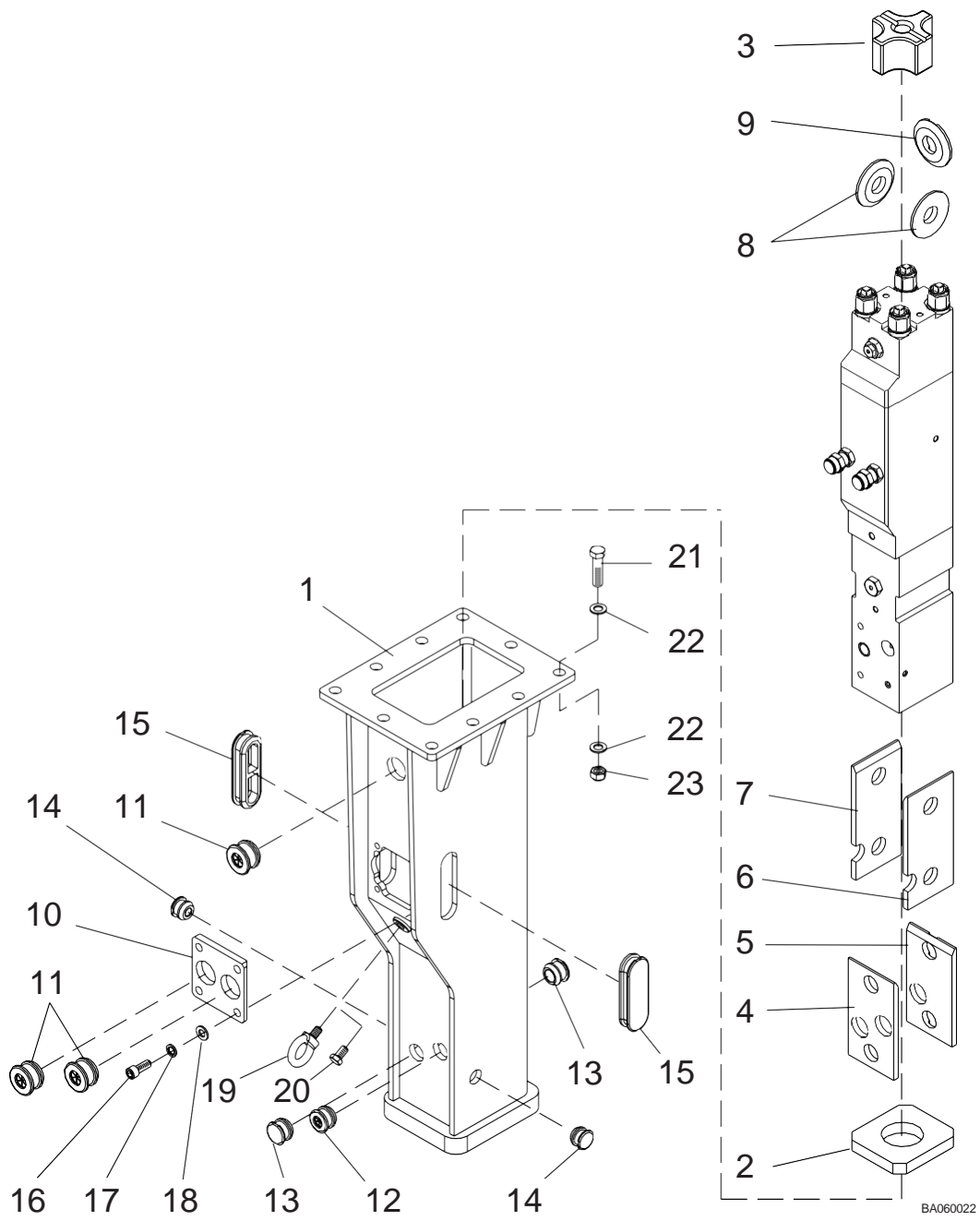
Required information:

- Name of customer and contact person
- Order number (when available)
- Delivery address
- Mode of delivery (air mail etc.)
- Required delivery date
- Invoicing address
- Model and serial number of the product
- Name, number and required amount of spare parts



PARTS

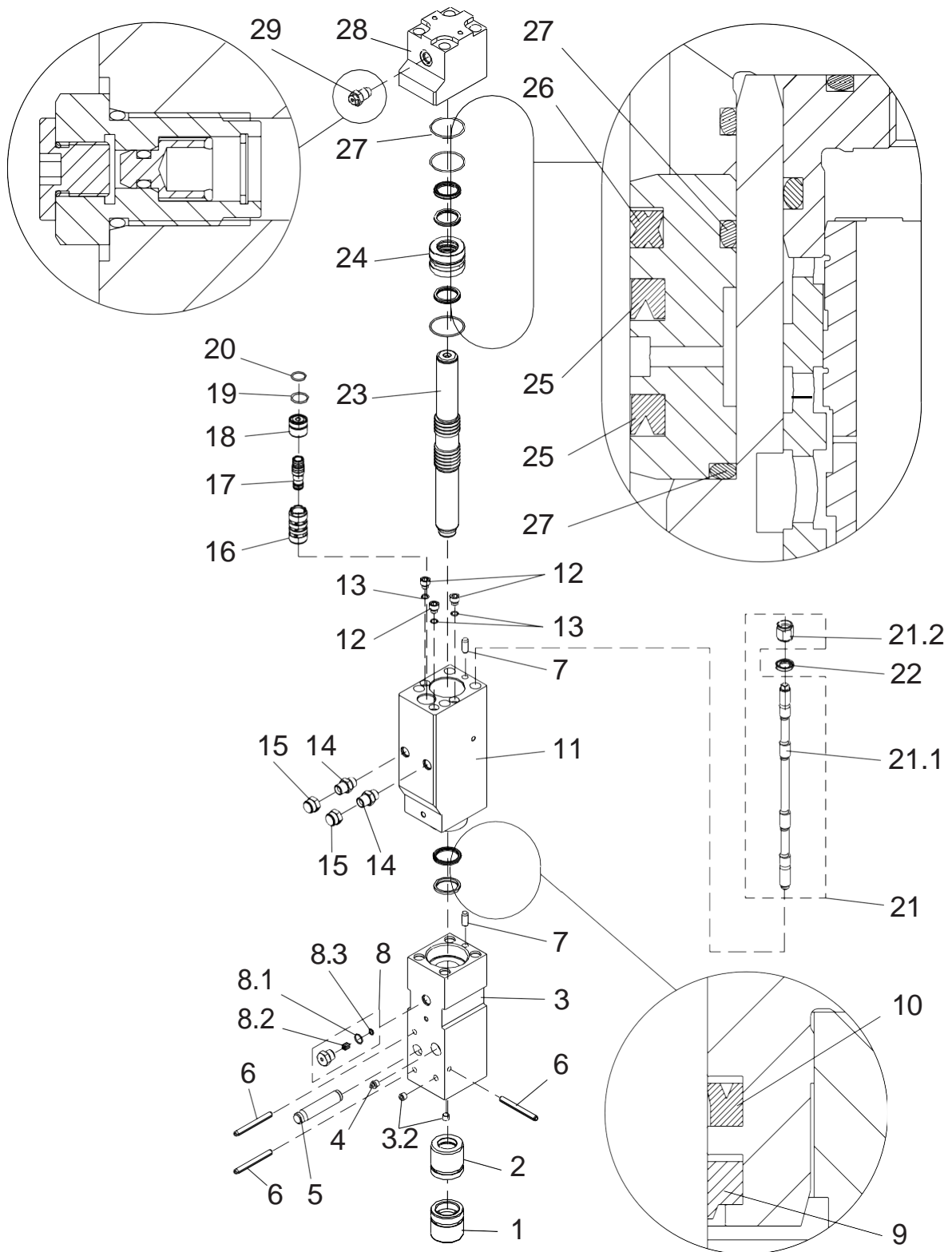
I. HOUSING UNIT



Item	Description	Part no.	Specification	Note	Qty
1	Housing	60-0369			1
2	Pad	60-0278			1
3	Buffer	60-0279			1
4	Wear plate	60-0282			1
5	Wear plate	60-0283			1
6	Wear plate	60-0281			1
7	Wear plate	60-0280			1
8	Wear plate	60-0284			2
9	Wear plate	60-0359			1
10	Cover	60-0285			1
11	Rubber plug	60-0287			3
12	Rubber plug	60-0290			1
13	Rubber plug	60-0289			2
14	Rubber plug	60-0288			2
15	Rubber plug	60-0286			2
16	Hex. socket screw	60-0090	M12x30-8.8 ISO 4762		4
17	Spring washer	60-0086	A12 DIN 127		4
18	Washer	60-0417	12-140 HV ISO 7089		4
19	Lifting eye	60-0079	M12 DIN 580		1
20	Hex. screw	60-0091	M12x20-8.8 ISO 4017		1
21	Hex. screw	60-0072	M16x60-8.8 ISO 4014		10
22	Lock washer	60-0076	M16 NORD-LOCK		20
23	Nut	60-0083	M16-8 ISO 4032		10
100	Label set (incl. part 101)	60-0355			1
101	Safety label set	60-0256	English		1



2. IMPACT UNIT



BA060023

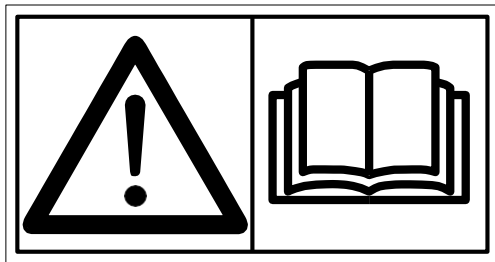
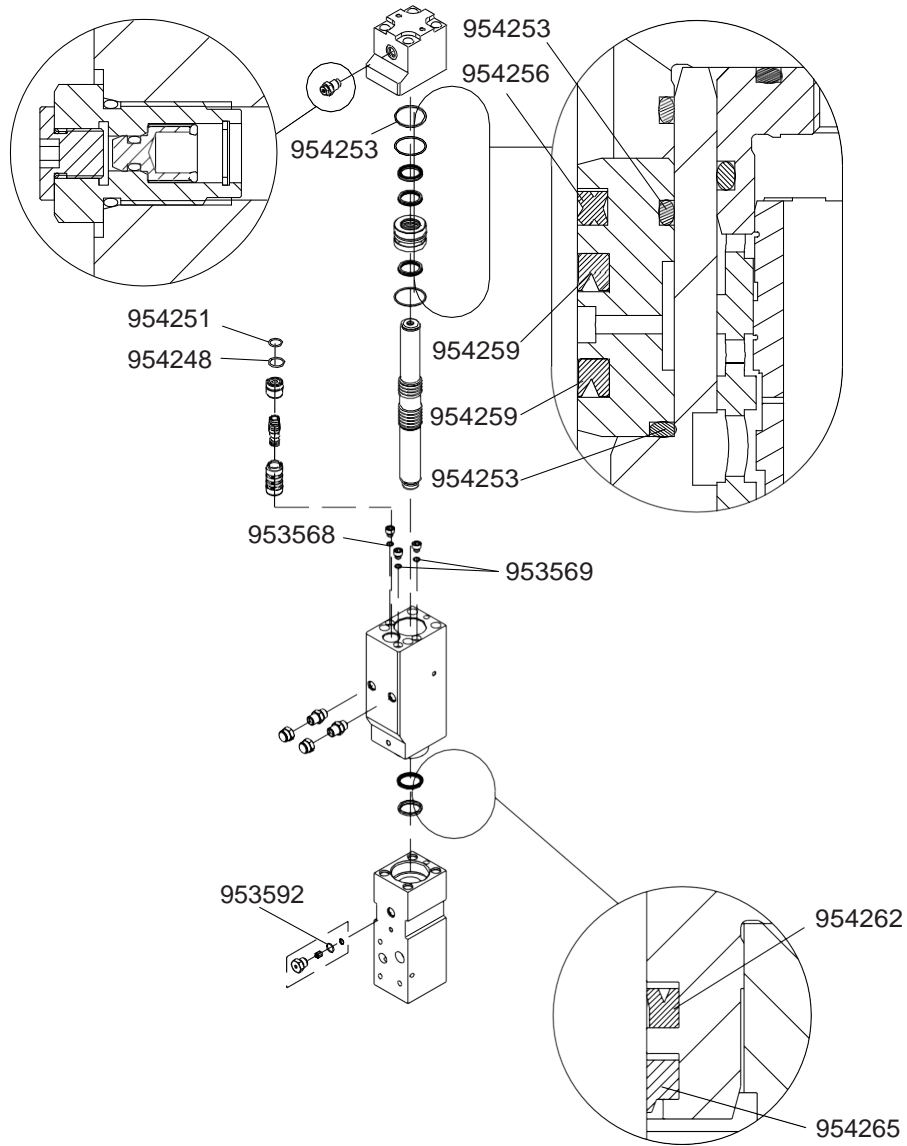
Item	Description	Part no.	Specification	Note	Qty
1	Lower tool bushing	60-0314			1
2	Upper tool bushing	60-0312			1
3	Front head (incl. part 3.2)	60-0306			1

Item	Description	Part no.	Specification	Note	Qty
3.2	Plug	60-0093			2
4	Grease nipple	60-0055			1
5	Tool retaining pin	60-0328			1
6	Split pin	60-0418	10x100 ISO 8752		3
7	Parallel pin	60-0329			2
8	Breather (incl. parts 8.1-8.3)	60-0352			1
8.1	O-ring	60-0504		*	1
8.2	Spool	60-0353			1
8.3	Retaining ring	60-0489	12x1 DIN 472		1
9	Wiper	60-0562		*	1
10	Seal	60-0560		*	1
11	Cylinder	60-0304			1
12	Plug	60-0299			3
13	O-ring	60-0502		*	3
14	Adapter	60-0440			2
15	Cap	60-0518			2
16	Bushing	60-0347			1
17	Distributor	60-0346			1
18	Distributor cover	60-0348			1
19	O-ring	60-0551		*	1
20	O-ring	60-0553		*	1
21	Tie rod (incl. parts 21.1-21.2)	60-0604			4
21.1	Tie rod				1
21.2	Nut				1
22	Washer	60-0322			4
23	Piston	60-0310			1
24	Seal carrier	60-0308			1
25	Seal	60-0558		*	2
26	Seal	60-0556		*	1
27	O-ring	60-0554		*	3
28	Back head	60-0302			1
29	Accumulator filling plug	60-0354			1
	*) Are included in seal set				



3. SEAL SET

Seal set 171544

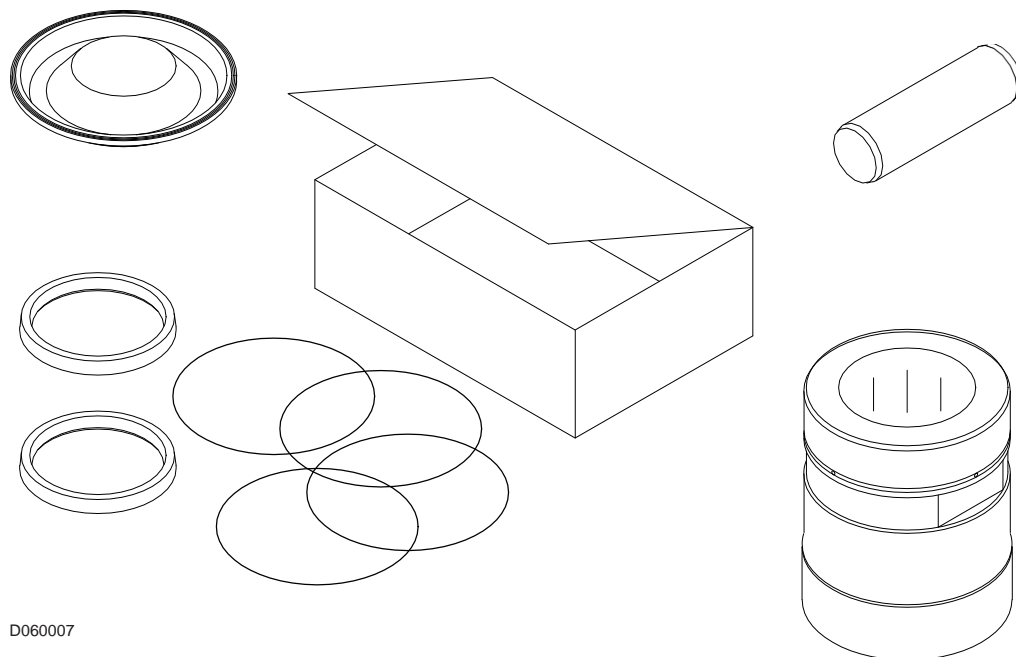


This summary only indicates the position of the seals. It must NOT be used as assembly instruction. Read the manual.

BA060024

Item	Description	Part no.	Specification	Note	Qty
Kit	Seal set (incl. parts 1-9)	60-0361			1
1	O-ring	60-0504			1
2	Wiper	60-0562			1
3	Seal	60-0560			1
4	O-ring	60-0502			3
5	O-ring	60-0551			1
6	O-ring	60-0553			1
7	Seal	60-0558			2
8	Seal	60-0556			1
9	O-ring	60-0554			3

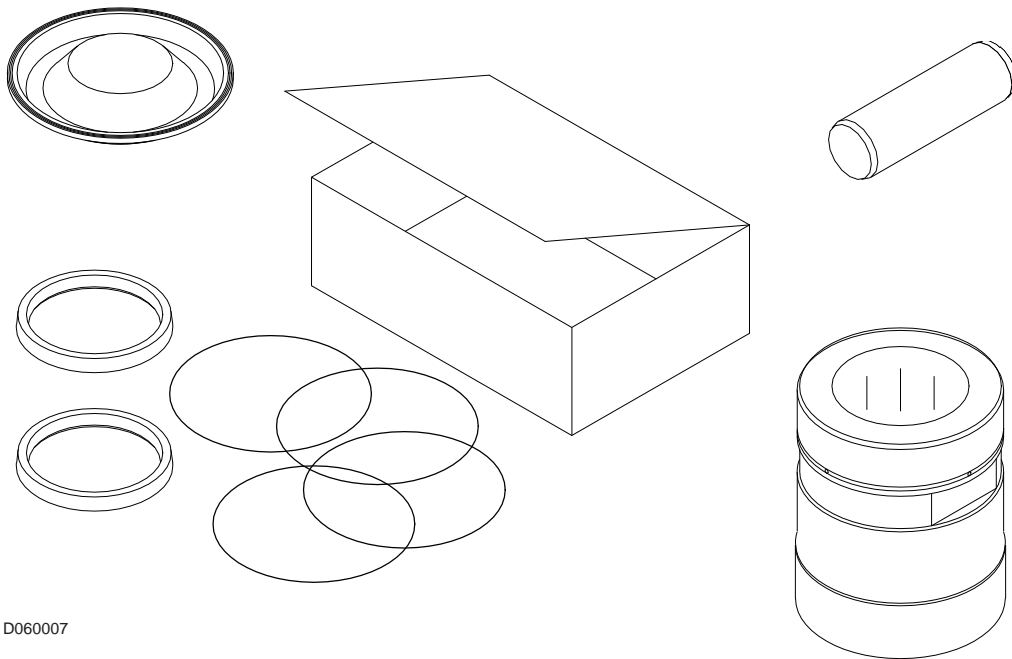
4. SERVICE KIT



D060007

Item	Description	Part no.	Specification	Note	Qty
Kit	Service kit (incl. parts 1 - 3)	60-0587			1
1	Lower tool bushing	60-0314			1
2	Tool retaining pin	60-0328			1
3	Seal set	60-0361			1

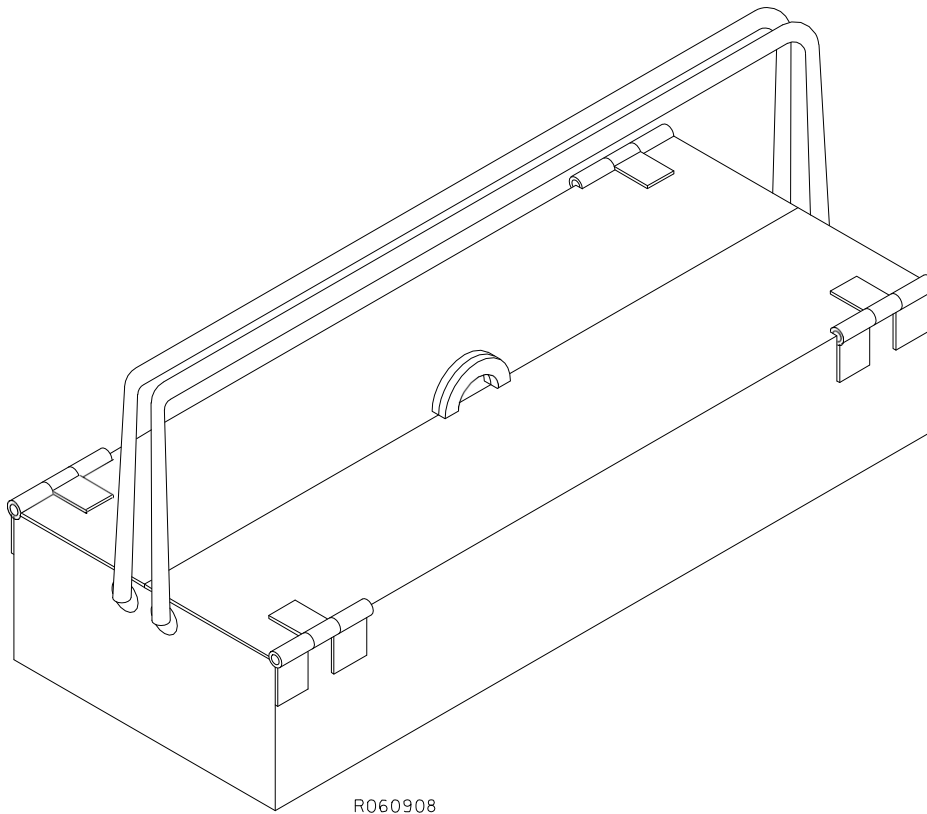
5. SERVICE KIT 2



D060007

Item	Description	Part no.	Specification	Note	Qty
Kit	Service kit (incl. parts 1 - 9)	60-0597			1
1	Pad	60-0278			1
2	Buffer	60-0279			1
3	Wear plate	60-0282			1
4	Wear plate	60-0283			1
5	Wear plate	60-0281			1
6	Wear plate	60-0280			1
7	Wear plate	60-0284			2
8	Wear plate	60-0359			1
9	Upper tool bushing	60-0312			1

6. TOOL BOX



Item	Description	Part no.	Specification	Note	Qty
Kit1	Tool box kit	171605			1

Steel Unlimited Inc.
3200 Myers Street
Riverside CA, 92503
USA

84-4-14105-48-4-7
90-4-14105-39-216-287