

Steel Unlimited

Original instructions

ENG 1115

PARTS MANUAL
PMHB-250ENG.115

HYDRAULIC HAMMER HB-250



TABLE OF CONTENTS

- 1.1. Housing unit 6
- 1.2. Valve body and distributor 7
- 1.3. Accumulator 8
- 1.4. Body parts 9
- 1.5. Lower tool bushing 10
- 1.6. Tool 11
- 1.7. Seal set 12

GENUINE SANDVIK SPARE PARTS

Sandvik genuine spare parts are designed and manufactured by using the latest technological knowledge and engineering skills. Sandvik spare parts are made of the best available materials with the most advanced manufacturing techniques.

It is important that you use only genuine Sandvik spare parts, to ensure easy operation, maintenance and repair of the product. Please note that eventual warranty claims will be handled only if you have used genuine Sandvik parts in your Sandvik product.

LOCATION OF THE SERIAL NUMBER

It's important to make correct reference to the serial number of the product when ordering spare parts. Identification of serial number is the only proper means of maintaining and identifying parts for a

specific product. The location of equipment serial number is pointed in "Operation and maintenance" manual.

SPARE PART ORDERS

Quick spare part deliveries are secured by exact orders.

Required information:

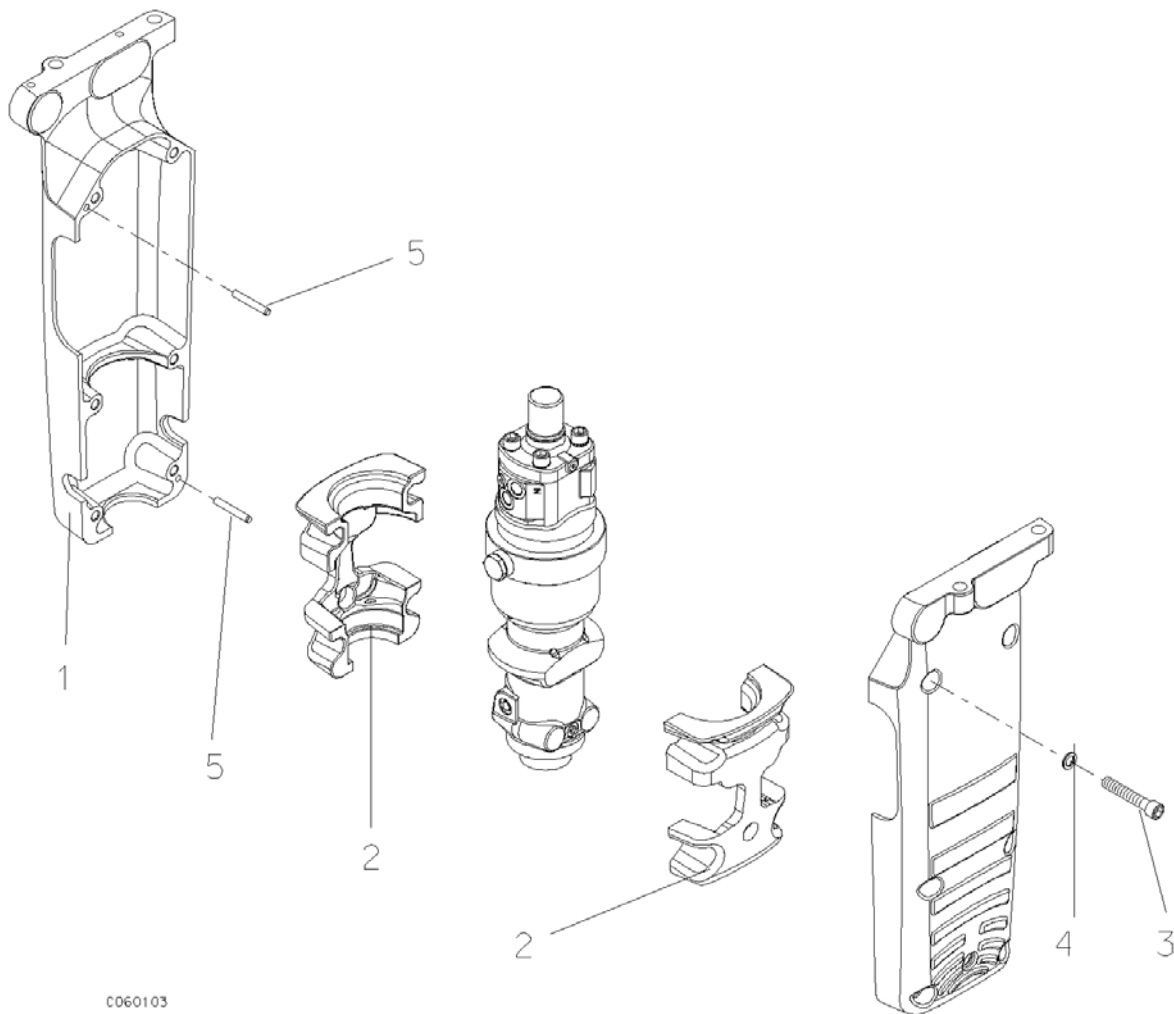
- Name of customer and contact person
- Order number (when available)
- Delivery address
- Mode of delivery (air mail etc.)
- Required delivery date
- Invoicing address
- Model and serial number of the product
- Name, number and required amount of spare parts



PARTS



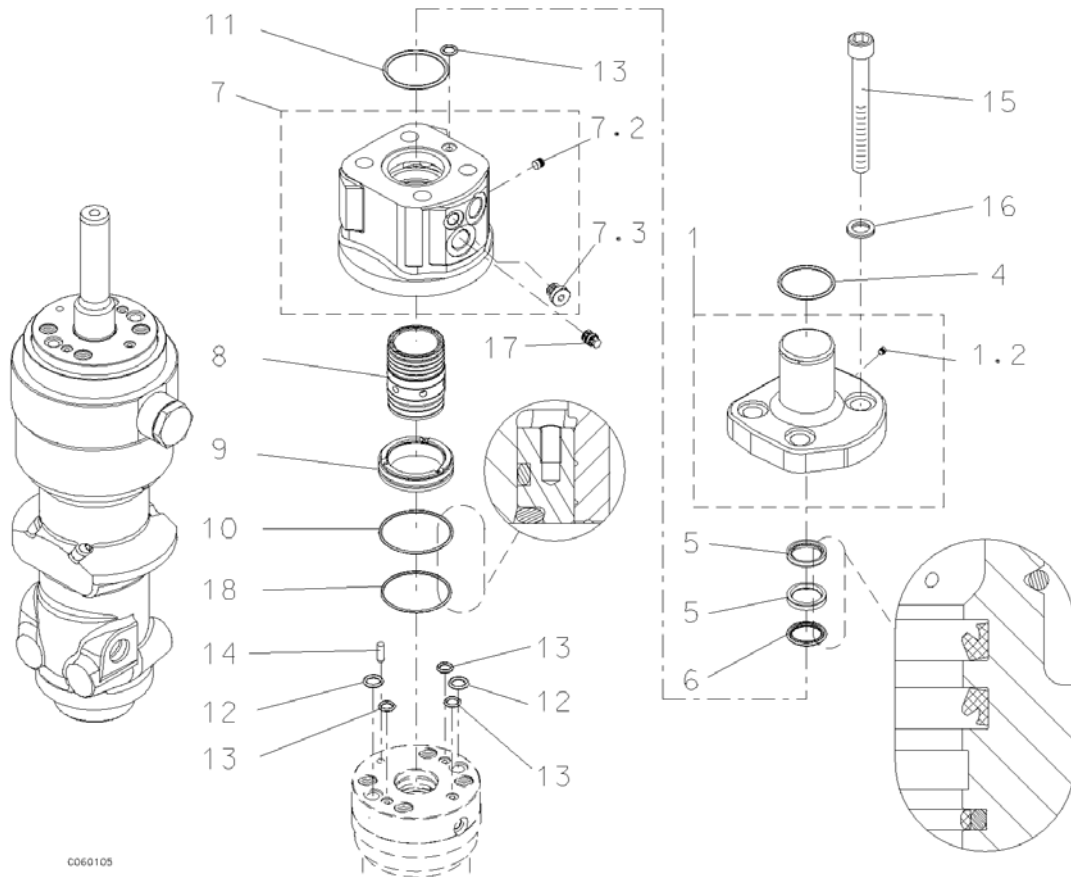
I. HOUSING UNIT



0060103

Item	Description	Part no.	Specification	Note	Qty
1	Housing plates	60-0172			1
2	Damper	60-0640			2
3	Hex. socket screw	60-0641	M16x100-8.8 ISO 4762		6
4	Lock washer	60-0076	M16 NORD-LOCK		6
5	Parallel pin	60-0636	10m6x70 ISO 8734		2
Kit	Label set	60-0321			1

2. VALVE BODY AND DISTRIBUTOR

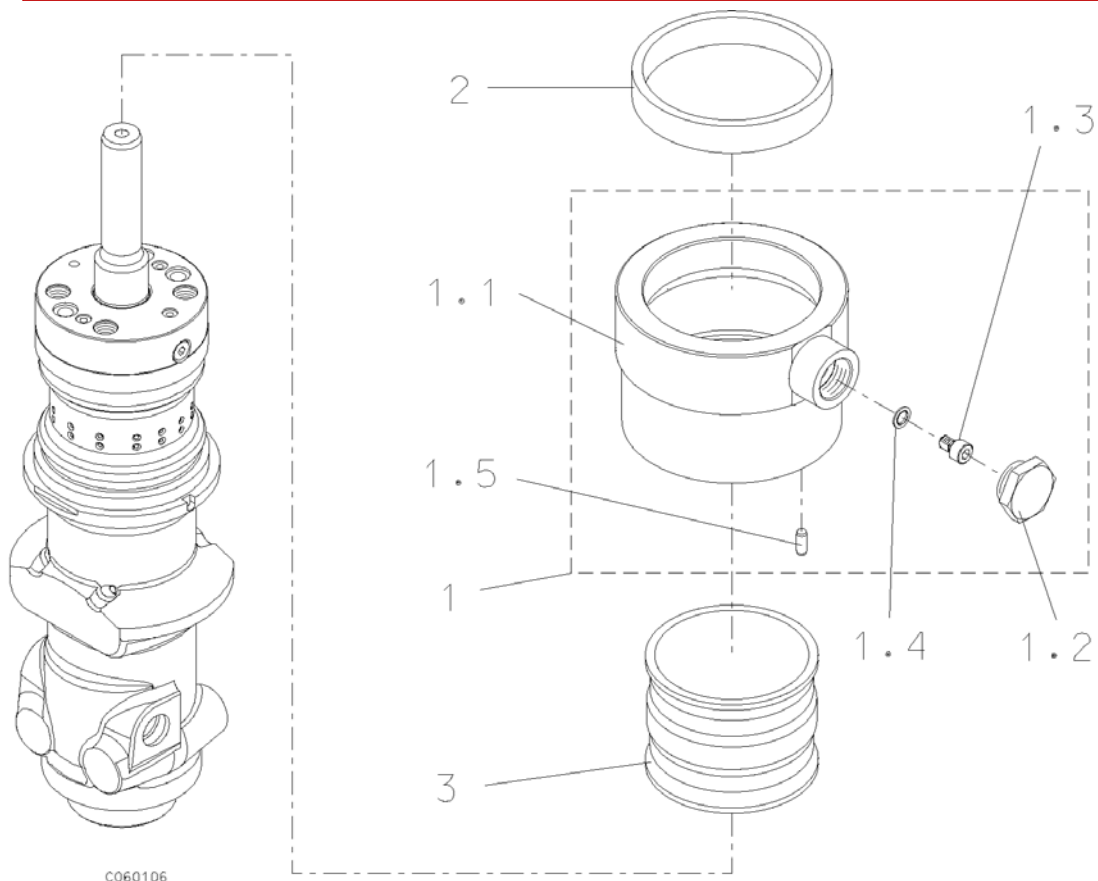


0060105

Item	Description	Part no.	Specification	Note	Qty
1	Cover (incl. part 1.2)	60-0145			1
1.2	Plug	60-0420			1
4	O-ring	60-0052	D50	*	1
5	Seal	60-0435		*	2
6	Seal	60-0118		*	1
7	Valve body (incl. parts 7.2-7.3)	60-0150			1
7.2	Plug	60-0420			1
7.3	Flange plug	60-0065	R1/4		1
8	Distributor	60-0147			1
9	Steering ring	60-0149			1
10	O-ring	60-0450	D76	*	1
11	O-ring	60-0098	D70	*	1
12	O-ring	60-0412	D17	*	2
13	O-ring	60-0413	D9	*	4
14	Parallel pin	60-0063	6m6x18 ISO 8734		1
15	Hex. socket screw	60-0433	M20x160-10.9 ISO 4762		4
16	Lock washer	60-0084	M20 NORD-LOCK		4
17	Nozzle	60-0642	CX31B, CX36B		1
18	O-ring	60-0049	D75	*	1
	*) Are included in seal set				

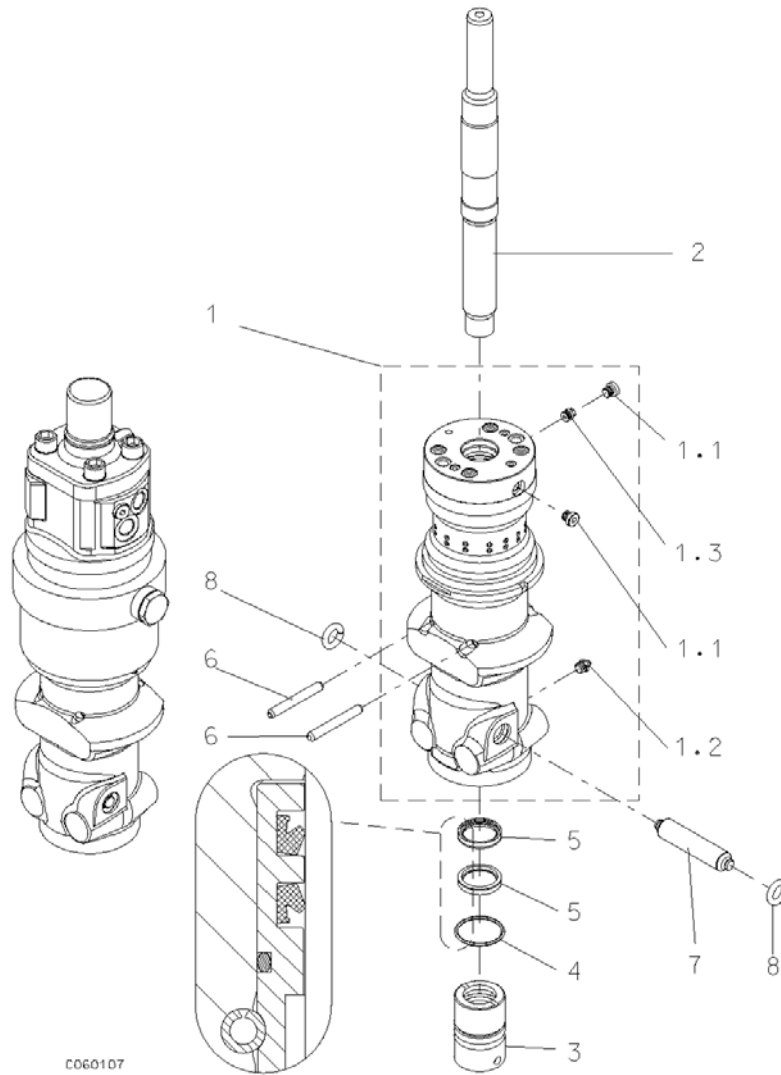


3. ACCUMULATOR



Item	Description	Part no.	Specification	Note	Qty
1	Accumulator (incl. parts 1.1-1.5)	60-0163			1
1.1	Body	60-0115			1
1.2	Shield plug	60-0403			1
1.3	Filling plug	60-0043			1
1.4	Usit-ring	60-0053	8-13.9-1	*	1
1.5	Split pin	60-0061	6x17 ISO 8750		1
2	Support ring	60-0132			1
3	Membrane	60-0107			1
	*) Are included in seal set				

4. BODY PARTS

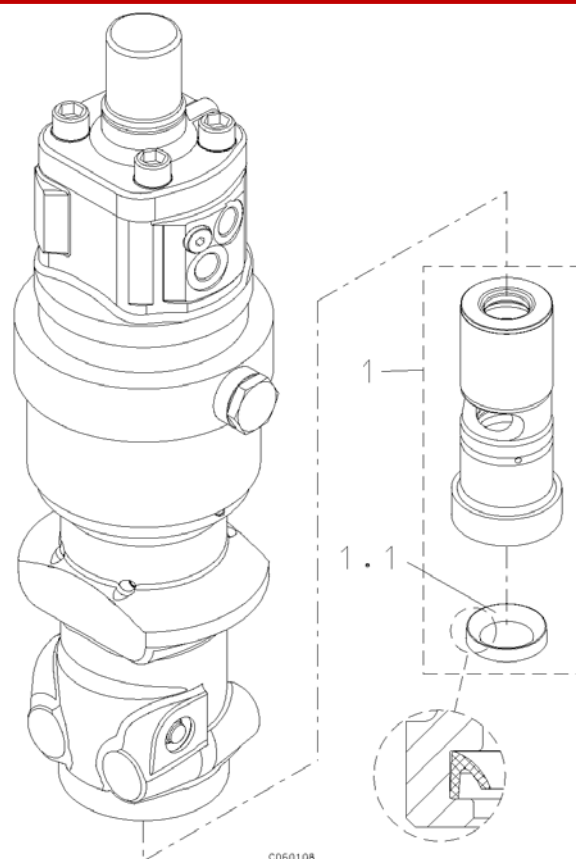


C060107

Item	Description	Part no.	Specification	Note	Qty
1	Cylinder (incl. parts 1.1-1.3)	60-0643			1
1.1	Flange plug	60-0094	R1/8		2
1.2	Grease nipple	60-0056	R1/8		1
1.3	Nozzle	60-0102			1
2	Piston	60-0148			1
3	Seal carrier	60-0114			1
4	O-ring	60-0051	D57	*	1
5	Seal	60-0421		*	2
6	Split pin	60-0062	8x80 ISO 8752		2
7	Tool retaining pin	60-0120			1
8	Rubber ring	60-0116		*	2
*) Are included in seal set					

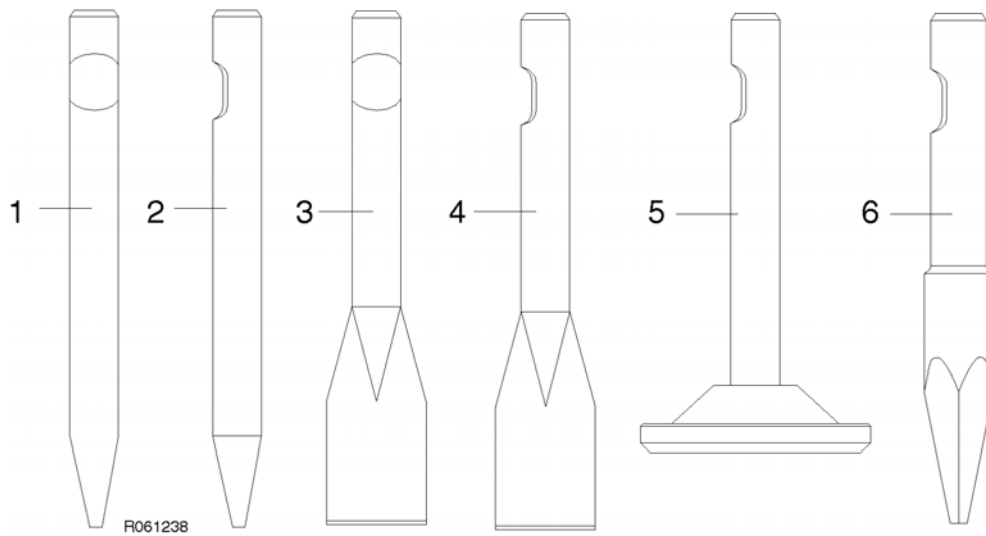


5. LOWER TOOL BUSHING



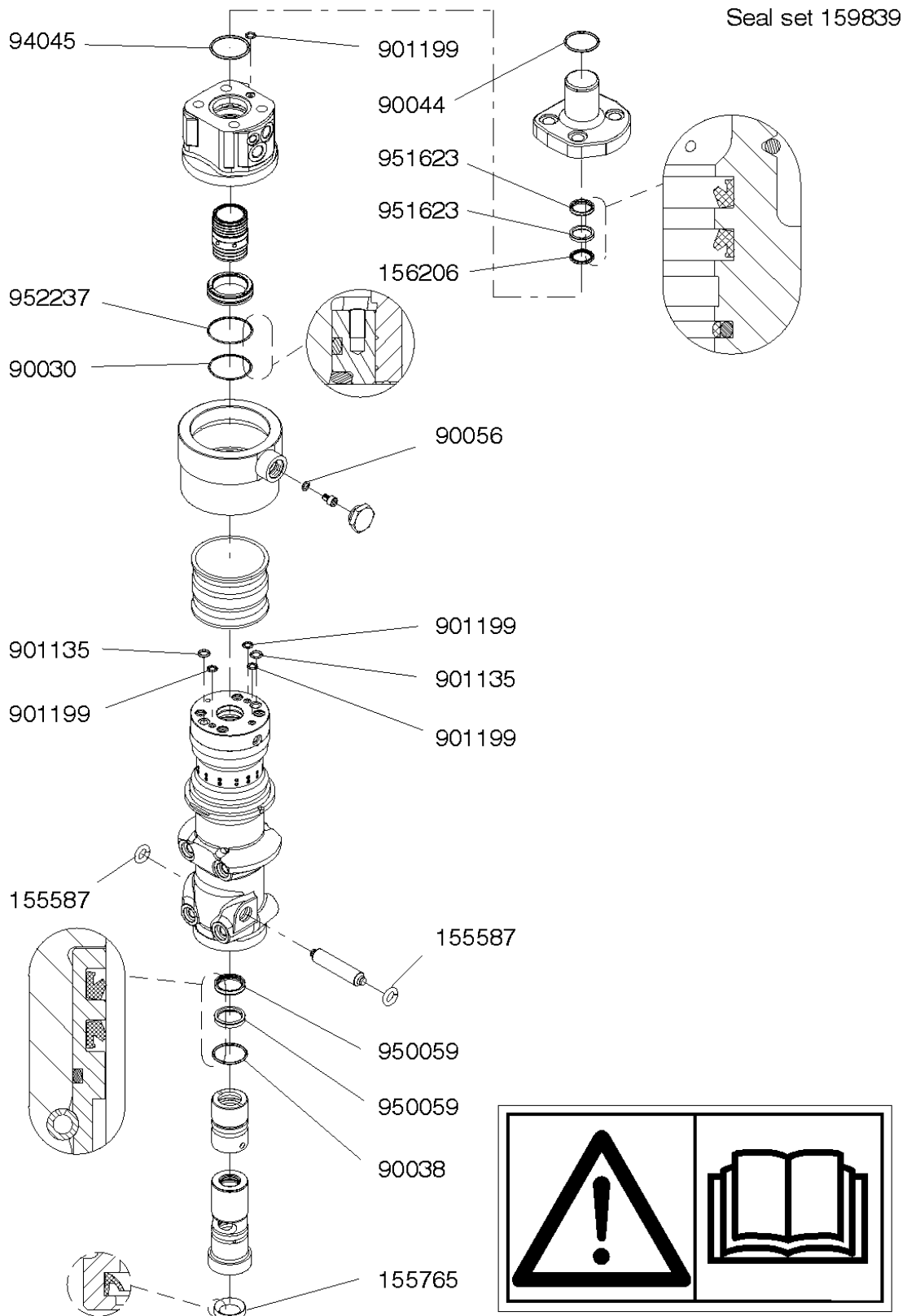
Item	Description	Part no.	Specification	Note	Qty
1	Lower tool bushing (incl. part 1.1)	60-0119			1
1.1	Seal	60-0117		*	1
	*) Are included in seal set				

6. TOOL



Item	Description	Part no.	Specification	Note	Qty
1	Chisel	60-0581	L = 490 mm, W = 7.1 kg, D = 50 mm		1
2	Moil point	60-0582	L = 490 mm, W = 6.8 kg, D = 50 mm		1
3	Spade, parallel to boom	60-0584	L = 490 mm, W = 6.8 kg, Width = 115 mm		1
4	Spade, transverse to boom	60-0585	L = 490 mm, W = 6.8 kg, Width = 115 mm		1
5	Compacting plate	60-0586	L = 437 mm, W = 11.7 kg, Plate D = 180 mm		1
6	Pyramid	60-0583	L = 490 mm, W = 7.2 kg, D = 50 / 65 mm		1

7. SEAL SET



This summary only indicates the position of the seals. It must NOT be used as assembly instruction. Read the manual.

R060861

Item	Description	Part no.	Specification	Note	Qty
Kit	Seal set (incl. parts 1-13)	60-0161			1
1	O-ring	60-0051	D57		1
2	Seal	60-0421			2
3	O-ring	60-0052	D50		1
4	Seal	60-0435			2
5	Seal	60-0118			1
6	O-ring	60-0450	D76		1
7	O-ring	60-0090	D70		1
8	O-ring	60-0412	D17		2
9	O-ring	60-0413	D9		4
10	O-ring	60-0049	D75		1
11	Usit-ring	60-0053	8-13.9-1		1
12	Seal	60-0117			1
13	Rubber ring	60-0116			2

84-4-14105-36-12-322
84-4-14105-42-108-217