

Steel Unlimited

Original instructions

ENG 1115

PARTS MANUAL
PMHB-150ENG.115

HYDRAULIC HAMMER HB-150



TABLE OF CONTENTS

- 1.1. Housing unit 6**
- 1.2. Valve body and distributor 7**
- 1.3. Accumulator 9**
- 1.4. Body parts 10**
- 1.5. Lower tool bushing 11**
- 1.6. Tool 12**
- 1.7. Seal set 13**

GENUINE SANDVIK SPARE PARTS

Sandvik genuine spare parts are designed and manufactured by using the latest technological knowledge and engineering skills. Sandvik spare parts are made of the best available materials with the most advanced manufacturing techniques.

It is important that you use only genuine Sandvik spare parts, to ensure easy operation, maintenance and repair of the product. Please note that eventual warranty claims will be handled only if you have used genuine Sandvik parts in your Sandvik product.

LOCATION OF THE SERIAL NUMBER

It's important to make correct reference to the serial number of the product when ordering spare parts. Identification of serial number is the only proper means of maintaining and identifying parts for a

specific product. The location of equipment serial number is pointed in "Operation and maintenance" manual.

SPARE PART ORDERS

Quick spare part deliveries are secured by exact orders.

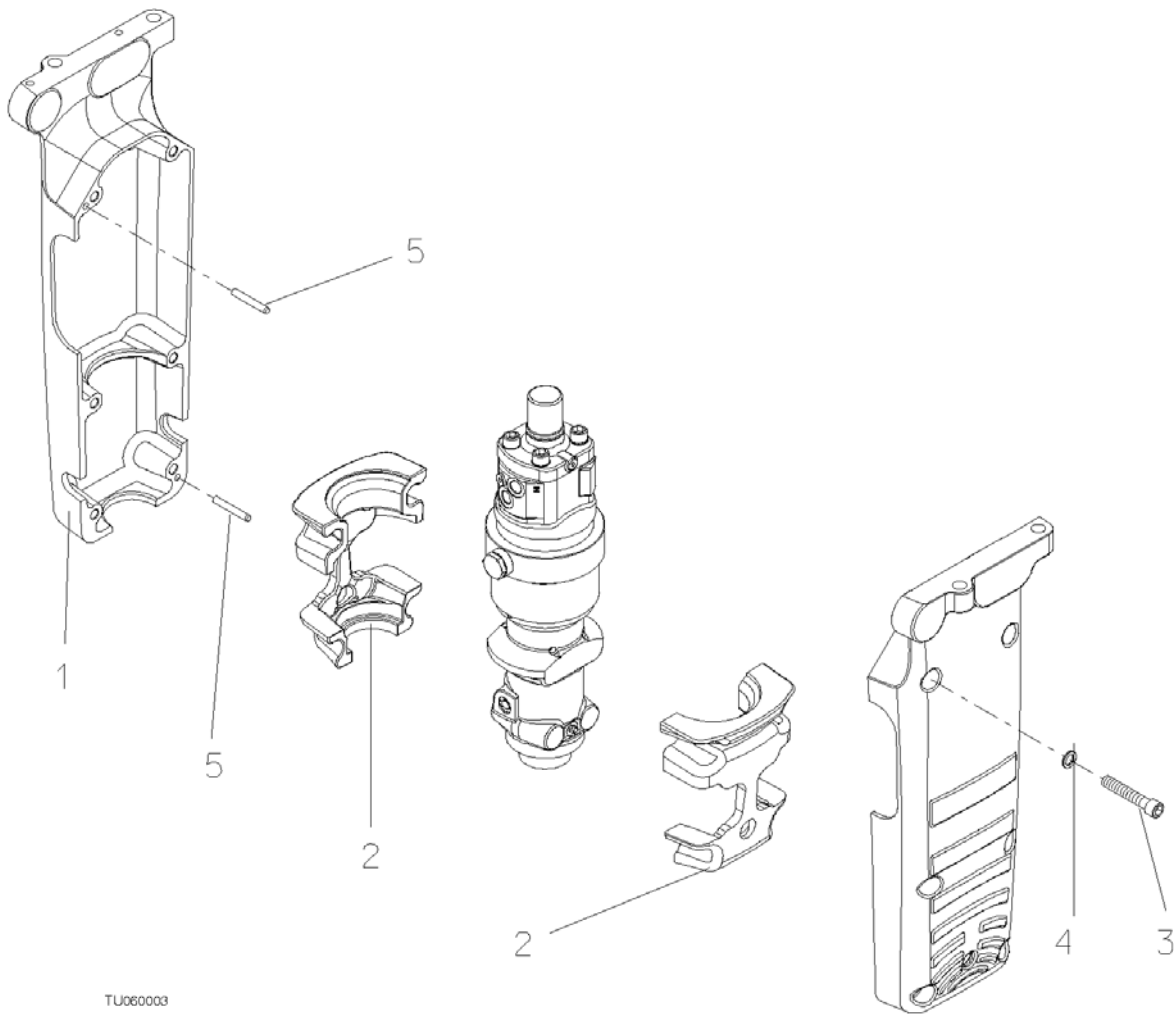
Required information:

- Name of customer and contact person
 - Order number (when available)
 - Delivery address
 - Mode of delivery (air mail etc.)
 - Required delivery date
 - Invoicing address
 - Model and serial number of the product
 - Name, number and required amount of spare parts
-



PARTS

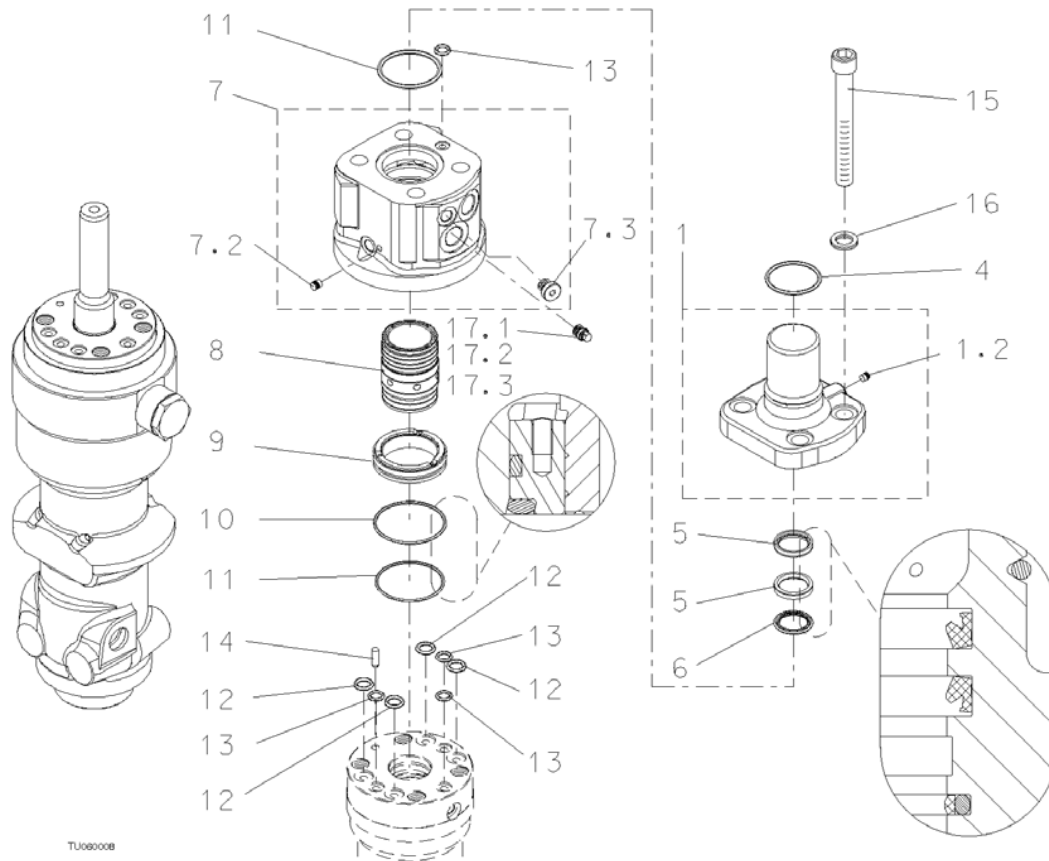
I. HOUSING UNIT



TU060003

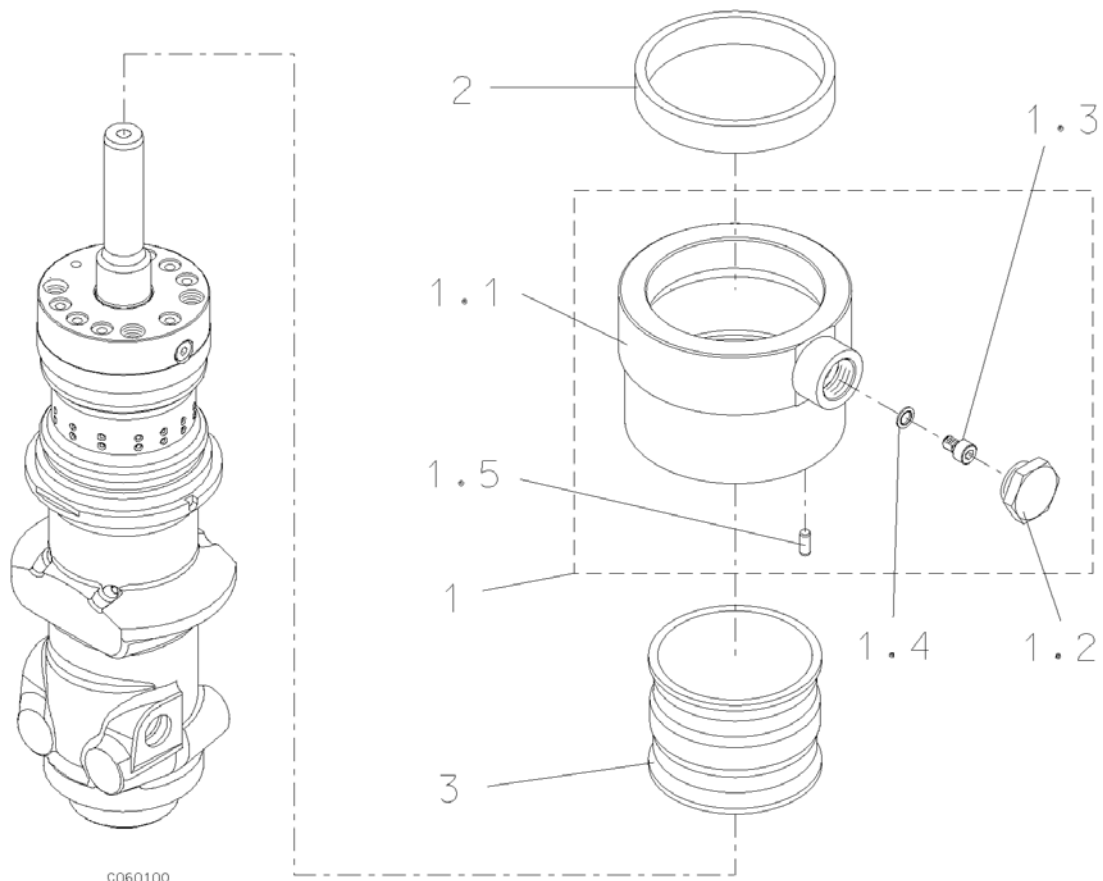
Item	Description	Part no.	Specification	Note	Qty
1	Housing plates	60-0320			1
2	Damper	60-0638			2
3	Hex. socket screw	60-0407	M16x90-8.8 ISO 4762		6
4	Lock washer	60-0076	M16 NORD-LOCK		6
5	Parallel pin	60-0636	10m6x70 ISO 8734		2
20	Label set (incl. part 21)	60-0320			1
21	Safety label set	60-0256	english		1

2. VALVE BODY AND DISTRIBUTOR



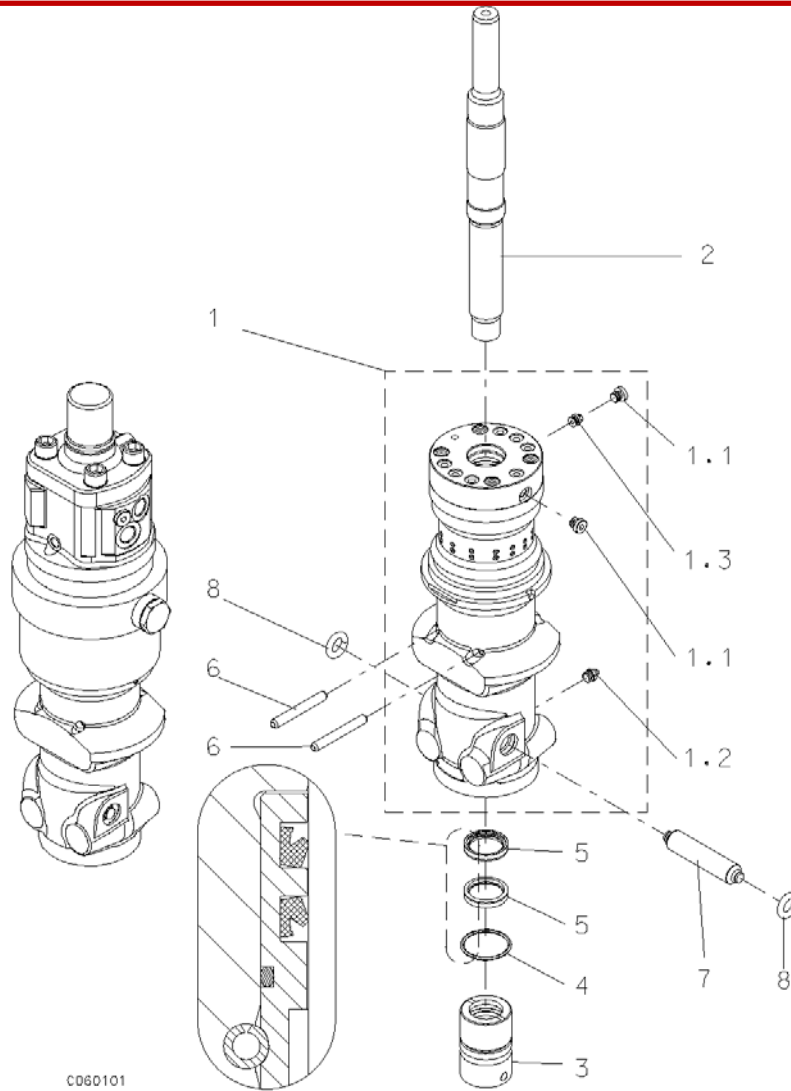
Item	Description	Part no.	Specification	Note	Qty
1	Cover (incl. part 1.2)	60-0125			1
1.2	Plug	60-0420			1
4	O-ring	60-0048	D49	*	1
5	Seal	60-0442		*	2
6	Seal	60-0126		*	1
7	Valve body (incl. parts 7.2-7.3)	60-0131			1
7.2	Plug	60-0420			1
7.3	Flange plug	60-0065	R1/4		1
8	Distributor	60-0124			1
9	Steering ring	60-0130			1
10	O-ring	60-0449	D63	*	1
11	O-ring	60-0054	D60	*	2
12	O-ring	60-0047	D14	*	4
13	O-ring	60-0413	D9	*	4
14	Parallel pin	60-0063	6m6x18 ISO 8734		1
15	Hex. socket screw	60-0441	M16x140-10.9 ISO 4762		4
16	Lock washer	60-0076	M16 NORD-LOCK		4
17.1	Nozzle kit 1	60-0179	Incl. nozzles D3.2, D3.4, D3,6 and D3.8		1
17.2	Nozzle kit 2	60-0180	Incl. nozzles D4.0, D4.2, D4.4 and D4.6		1
17.3	Nozzle kit 3	60-0182	Incl. nozzles D4.8, D5.0 and D0		1
	*) Are included in seal set				

3. ACCUMULATOR



Item	Description	Part no.	Specification	Note	Qty
1	Accumulator (incl. parts 1.1-1.5)	60-0162			1
1.1	Body	60-0123			1
1.2	Shield plug	60-0403			1
1.3	Filling plug	60-0043			1
1.4	Usit-ring	60-0053	8-13.9-1	*	1
1.5	Split pin	60-0061	6x17 ISO 8750		1
2	Support ring	60-0129			1
3	Membrane	60-0106			1
	*) Are included in seal set				

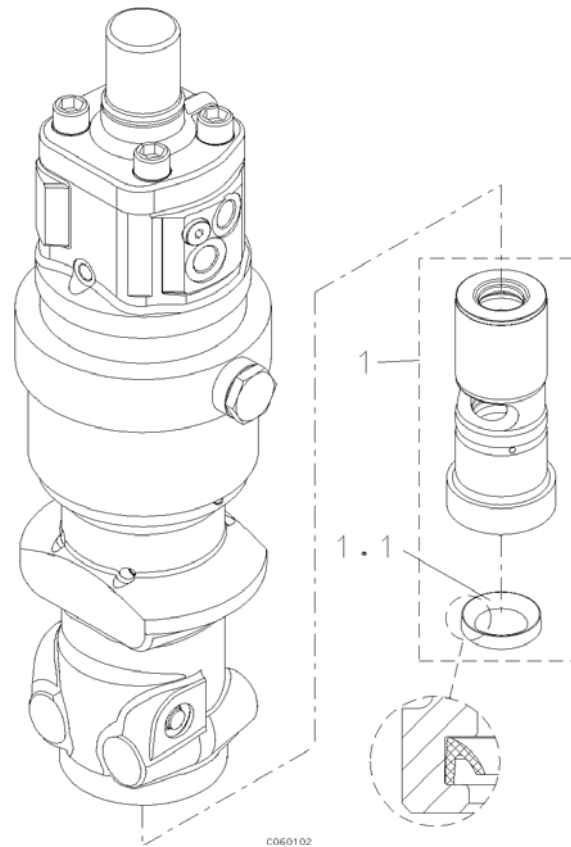
4. BODY PARTS



C060101

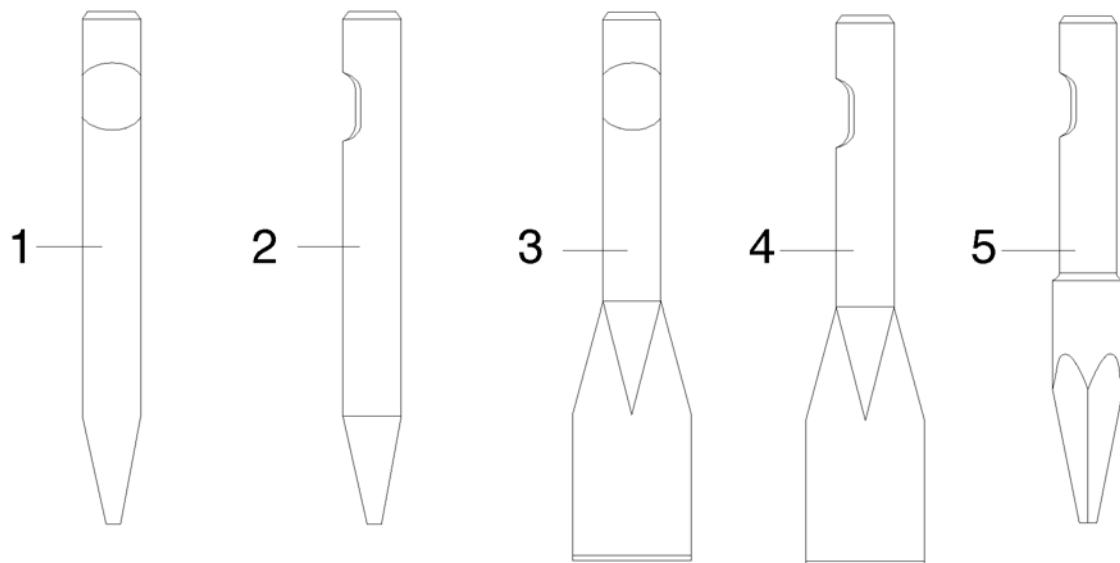
Item	Description	Part no.	Specification	Note	Qty
1	Cylinder (incl. parts 1.1-1.3)	60-0639			1
1.1	Flange plug	60-0094	R1/8		2
1.2	Grease nipple	60-0056	R1/8		1
1.3	Nozzle	60-0157			1
2	Piston	60-0122			1
3	Seal carrier	60-0121			1
4	O-ring	60-0048	D49	*	1
5	Seal	60-0427		*	2
6	Split pin	60-0062	8x80 ISO 8752		2
7	Tool retaining pin	60-0156			1
8	Rubber ring	60-0128		*	2
	*) Are included in seal set				

5. LOWER TOOL BUSHING



Item	Description	Part no.	Specification	Note	Qty
1	Lower tool bushing (incl. part 1.1)	60-0155			1
1.1	Seal	60-0127		*	1
*) Are included in seal set					

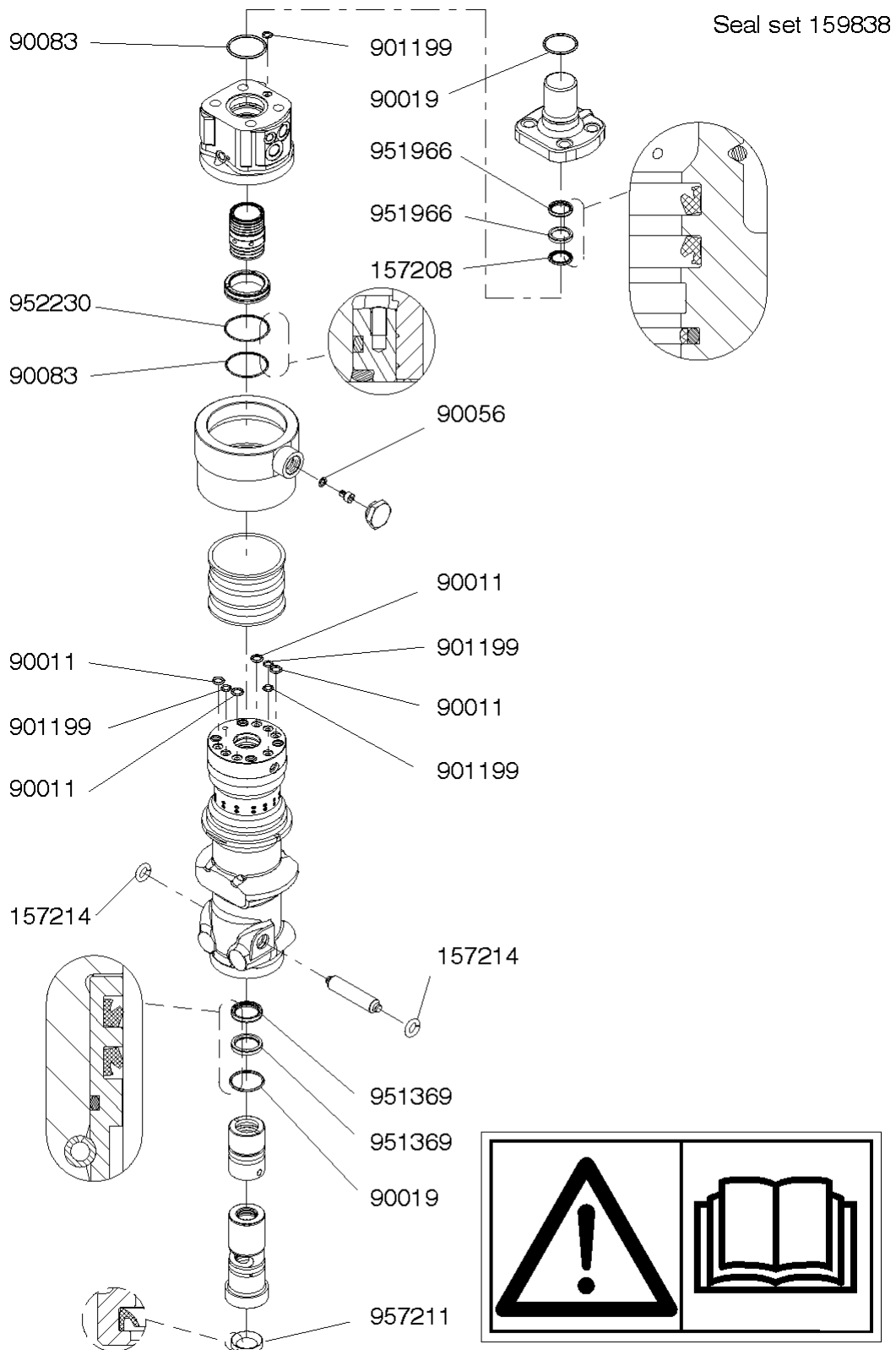
6. TOOL



R061237

Item	Description	Part no.	Specification	Note	Qty
1	Chisel	60-0576	L = 405 mm, W = 4.1 kg, D = 42 mm		1
2	Moil point	60-0577	L = 405 mm, W = 3.9 kg, D = 42 mm		1
3	Spade, parallel to boom	60-0579	L = 420 mm, W = 4.1 kg, Width = 100 mm		1
4	Spade, transverse to boom	60-0580	L = 420 mm, W = 4.1 kg, Width = 100 mm		1
5	Pyramid	60-0578	L = 405 mm, W = 4.3 kg, D = 42 / 57 mm		1

7. SEAL SET



This summary only indicates the position of the seals. It must NOT be used as assembly instruction. Read the manual.

R060860

Item	Description	Part no.	Specification	Note	Qty
Kit	Seal set (incl. parts 1-11)	60-0160			1
1	O-ring	60-0048	D49		2
2	Seal	60-0442			2
3	Seal	60-0126			1
4	O-ring	60-0449	D63		1
5	O-ring	60-0054	D60		2
6	O-ring	60-0047	D14		4
7	O-ring	60-0413	D9		4
8	Seal	60-0427			2
9	Usit-ring	60-0053	8-13.9-1		1
10	Seal	60-0127			1
11	Rubber ring	60-0124			2

Steel Unlimited, Inc.
3200 Myers Street
Riverside CA, 92503 USA

84-4-14105-36-12-322
84-4-14105-42-48-308